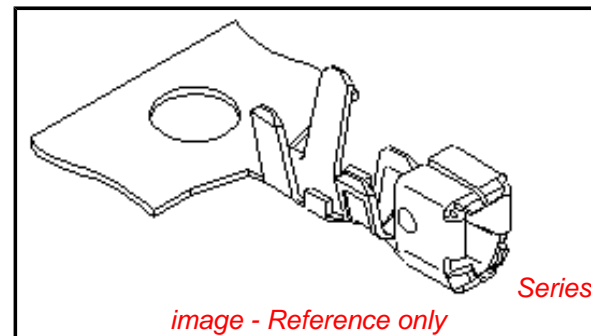


**PLEASE CHECK WWW.MOLEX.COM FOR LATEST PART INFORMATION**

**Part Number:** **0500118000**  
**Status:** **Active**  
**Overview:** microblade  
**Description:** 2.00mm (.079") Pitch MicroBlade™ Wire-to-Wire Crimp Terminal, Female, 24-30 AWG, Reel

**Documents:**

<a href="#">Drawing (PDF)</a>	<a href="#">Product Specification PS-54183-003 (PDF)</a>
<a href="#">Product Specification PS-51004-002 (PDF)</a>	<a href="#">Product Specification PS-55381-004 (PDF)</a>
<a href="#">Product Specification PS-51049-001 (PDF)</a>	<a href="#">RoHS Certificate of Compliance (PDF)</a>



**General**

Product Family	Crimp Terminals
Series	<u>50011</u>
Crimp Quality Equipment	Yes
Overview	<u>microblade</u>
Product Name	MicroBlade™

**Physical**

Gender	Female
Material - Metal	Phosphor Bronze
Material - Plating Mating	Tin
Material - Plating Termination	Tin
Packaging Type	Reel
Termination Interface: Style	Crimp or Compression
Wire Insulation Diameter	0.80-1.40mm (.031-.055")
Wire Size AWG	24, 26, 28, 30
Wire Size mm²	N/A

**Electrical**

Current - Maximum per Contact	2A
Voltage - Maximum	125V

**Material Info**

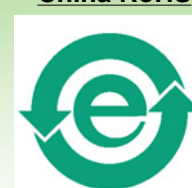
**Reference - Drawing Numbers**

Packaging Specification	SPK-50011
Product Specification	PS-51004-002, PS-51049-001, PS-54183-003, PS-55381-004, RPS-51004-001, RPS-51004-002, RPS-51004-003, RPS-51004-004, RPS-51004-005, RPS-51004-006, RPS-51004-007, RPS-51004-008, RPS-51004-009, RPS-51004-010, RPS-51004-011, RPS-51004-012, RPS-51004-013, RPS-51004-014, RPS-51004-015, RPS-51004-016, RPS-51004-017, RPS-51004-018, RPS-51004-019, RPS-51004-020, RPS-51004-021, RPS-51004-022, RPS-51004-023, RPS-51004-024, RPS-51004-025, RPS-53014-001, RPS-54183-001, RPS-54183-002, RPS-55381-001, RPS-55381-002
Sales Drawing	SD-50011-8*00

**EU RoHS**

**ELV and RoHS Compliant**  
**REACH SVHC Contains SVHC: No**  
**Halogen-Free Status**  
**Halogen-Free**

**China RoHS**



**Need more information on product environmental compliance?**

Email [productcompliance@molex.com](mailto:productcompliance@molex.com)  
 For a multiple part number RoHS Certificate of Compliance, [click here](#)

Please visit the [Contact Us](#) section for any non-product compliance questions.

**Search Parts in this Series**

50011Series

**Mates With**

53014 , 53015 , 53025 MicroBlade™ Headers

**Use With**

51004 MicroBlade™ Housing

**Application Tooling | FAQ**

*Tooling specifications and manuals are found by selecting the products below. Crimp Height Specifications are then contained in the Application Tooling Specification document.*

**Global**

Description	Product #
Hand Crimp Tool for Milli-Grid™ and MicroBlade Crimp Terminals	<u>0638190100</u>
T2 Terminator Die, 24-30 AWG	<u>0639103800</u>

FineAdjust™ 0639003800  
Applicator for  
2.00mm (.079") Pitch  
Micro Blade Wire-to-  
Wire Terminal, 24-30  
AWG

Extraction Tool 0011030043

**Japan**

**Description** **Product #**

Applicator for M211A 0570303000

Bench Press, 22-30

AWG, for 50011

Crimp Terminal

Extraction Tool 0571056000

This document was generated on 05/19/2010

**PLEASE CHECK [WWW.MOLEX.COM](http://WWW.MOLEX.COM) FOR LATEST PART INFORMATION**

E

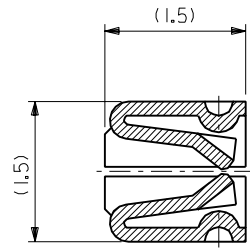
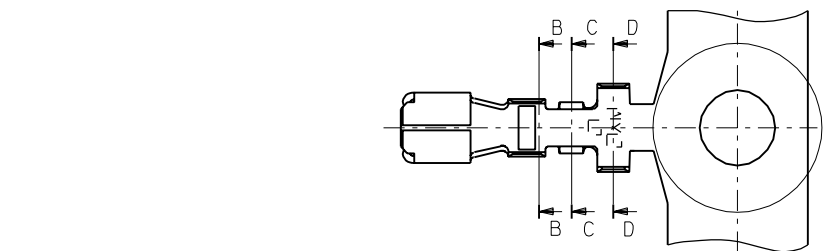
D

C

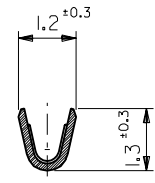
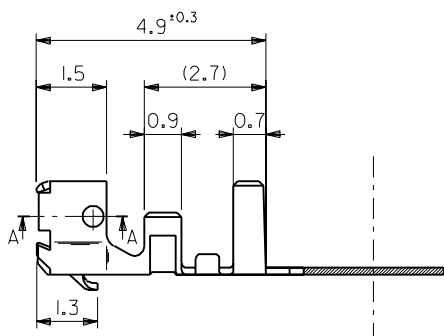
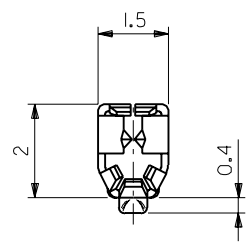
B

A

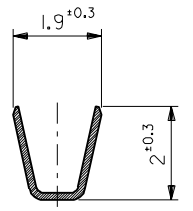
MM DIMENSIONS IN METRIC DO NOT SCALE DRAWING



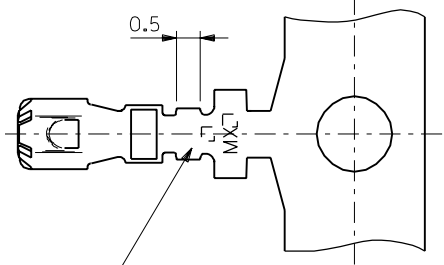
SECT.A-A  
(SCALE 20:1)



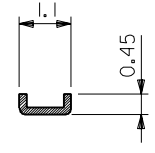
SECT.B-B



SECT.D-D



トレードマーク  
TRADE MARK



SECT.C-C

注記  
NOTE

1. 適用ハウジング : 51004, 51049 シリーズ  
APPLICABLE HOUSING : 51004, 51049 SERIES

角度 ANGLE	±3°
30以上 OVER	+0.3
10以上 30未満 UNDER	+0.25
10未満 UNDER	+0.2
一般公差 GENERAL TOLERANCES	

記号 LTR	変更内容 REVISION RECORD	DR. CHK.	日付 DATE
H	再作図 REDRAWN (JC6007)	T.Y. H.H.	'95/8/21

材料 MATERIAL	リン青銅 錫メッキ (t=0.15)
PHOS.BRO. PRE-TINNED (t=0.15)	
仕上げ FINISH	— # —
適用電線範囲 WIRE RANGE	AWG #24~#30
被覆外径 INS. RANGE	φ0.8~φ1.4
DRAWN BY '95/8/21	CHK'D BY '95/8/22
T.YASUJI	H.HIRAMOTO
APP'D BY '95/8/22	尺度 SCALE 10 : 1
M.FUKUSHIMA	

50011-8100	バラ状 LOOSE
50011-8000	連鎖状 CHAIN
ENG. NO.	端子形状 FORM

**molex** MOLEX-JAPAN CO.,LTD.  
日本モレックス株式会社

REVISE ONLY ON CAD SYSTEM

TITLE 名称  
2.0 LOW PROFILE CRIMP RECEPTACLE

DWG. NO.	REV H
SD-50011-8*00	